

# Technical data sheet

Product features



## Cooking range gas 1 zone

<b>Model</b>	<b>SAP Code</b>	00013582
--------------	-----------------	----------



- Device type: Gas unit
- Power consumption of the zone 1 [kW]: 10
- Ignition: Eternal flame
- Material: Stainless steel

<b>SAP Code</b>	00013582	<b>Net Weight [kg]</b>	19.00
<b>Net Width [mm]</b>	400	<b>Power gas [kW]</b>	10.000
<b>Net Depth [mm]</b>	400	<b>Number of zones</b>	1
<b>Net Height [mm]</b>	140	<b>Power consumption of the zone 1 [kW]</b>	10

# Technical data sheet

Technical drawing

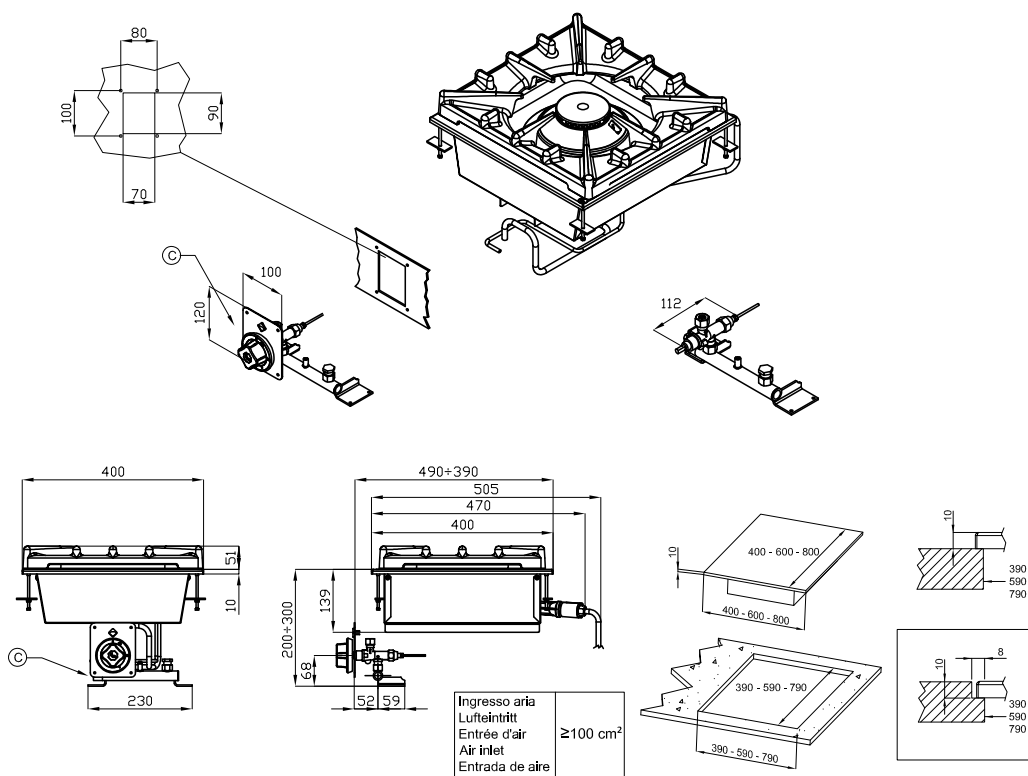


Cooking range gas 1 zone

Model

SAP Code

00013582



A	Data plate	C	Gas connection	ISO 7-1 1/2" M
---	------------	---	----------------	----------------

# Technical data sheet

Technical parameters



## Cooking range gas 1 zone

**Model**

**SAP Code**

00013582

**1. SAP Code:**

00013582

**2. Net Width [mm]:**

400

**3. Net Depth [mm]:**

400

**4. Net Height [mm]:**

140

**5. Net Weight [kg]:**

19.00

**6. Gross Width [mm]:**

470

**7. Gross depth [mm]:**

700

**8. Gross Height [mm]:**

530

**9. Gross Weight [kg]:**

23.00

**10. Device type:**

Gas unit

**11. Construction type of device:**

Drop-in

**12. Power gas [kW]:**

10.000

**13. Ignition:**

Eternal flame

**14. Material:**

Stainless steel

**15. Number of zones:**

1

**16. Power consumption of the zone 1 [kW]:**

10

**17. Power control type:**

knob control

**18. Additional information:**

Burner grate: 390 x 360 mm

**19. Number of burners/hot plates:**

1